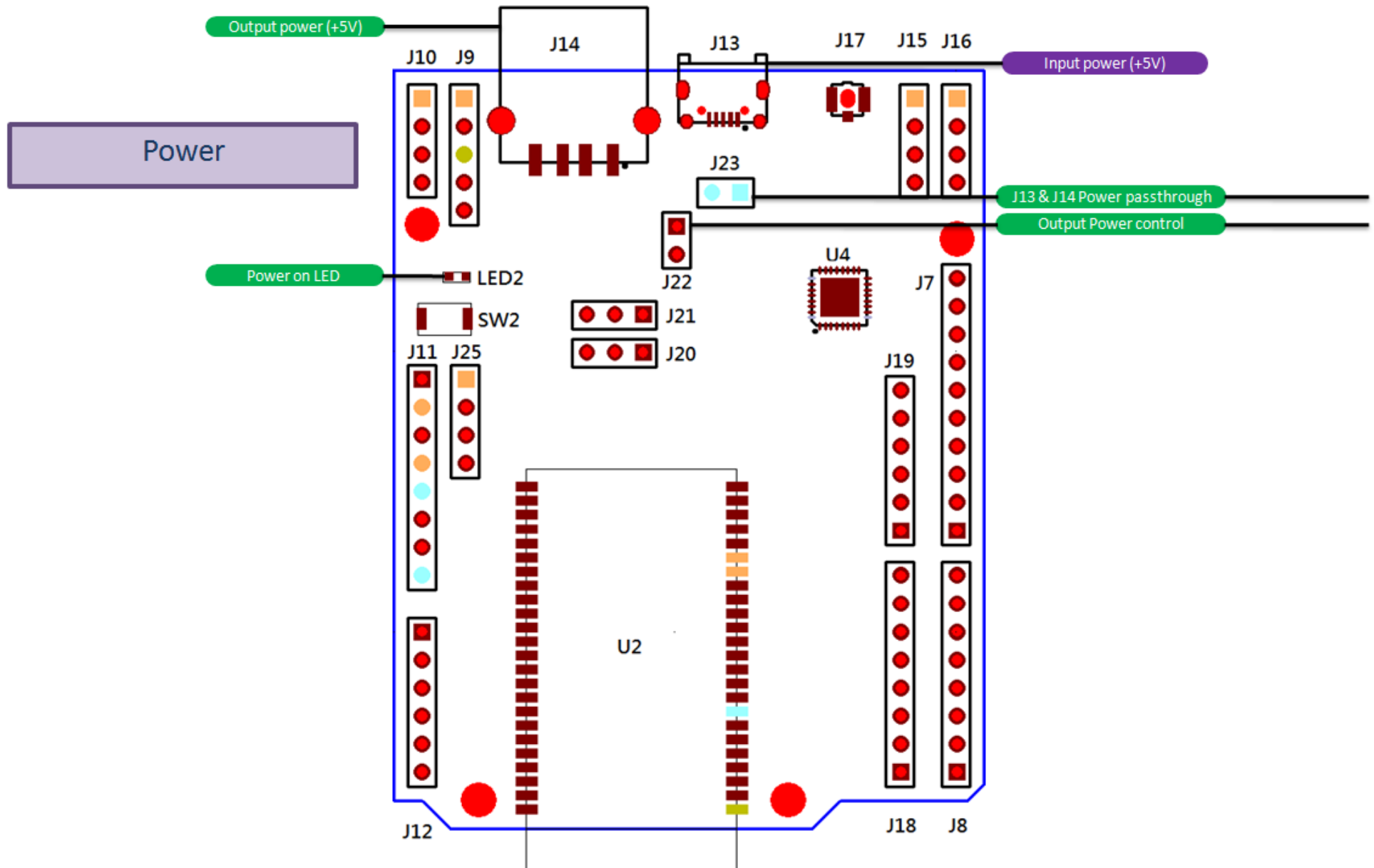


ACK Carrier Hardware circuit diagram (power)



ACK Carrier Hardware circuit diagram (Interface pin definition)

